

A/C - Orifice Tube System - Data Sheet

Date: _____

Engine Hours: _____

Model: _____

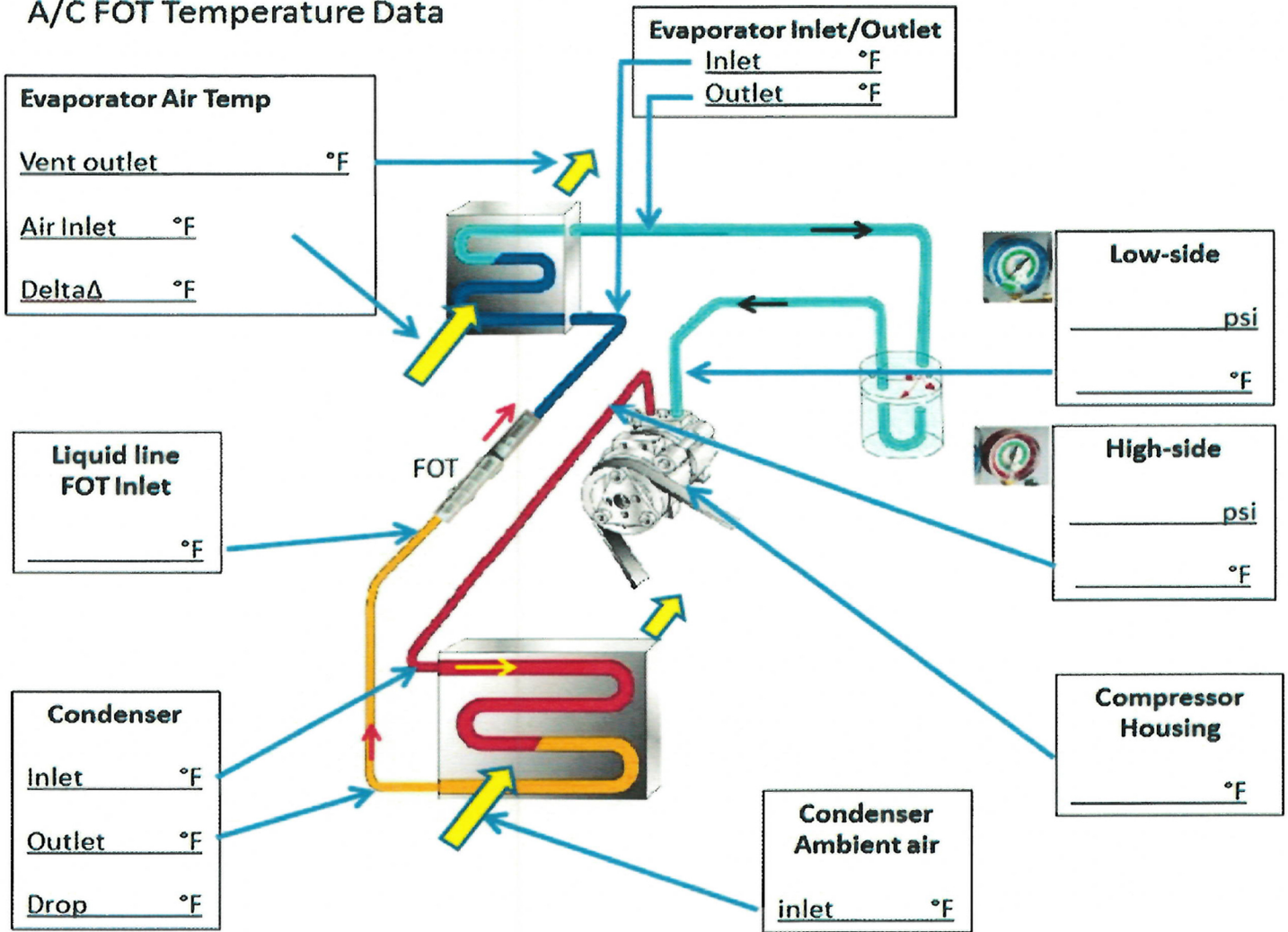
Serial Number: _____

Circle: °F or °C

Engine Fan: Fixed or Viscous Fan

- | | | |
|---|-------|------------------|
| 1 Refrigerant charge amount installed? | _____ | lbs or kg |
| 2 Test is being done with cab doors opened and/or closed? | _____ | |
| 3 Engine RPM (recommended 1500 rpm) | _____ | RPM |
| 4 Engine operating temperature | _____ | |
| 5 Percent Humidity outside | _____ | % |
| 6 Blower fan speed setting | _____ | |
| 7 Ambient air temperature 2" (50 mm) in front of condenser | _____ | |
| 8 Compressor low-side/high-side pressure | _____ | PSI |
| 9 Compressor suction line temperature | _____ | |
| 10 Convert high side pressure to temperature, use PT Chart | _____ | |
| 11 Compressor housing temperature | _____ | |
| 12 Condenser inlet line temperature | _____ | |
| 13 Condenser outlet line temperature | _____ | |
| 14 Evaporator inlet line temperature | _____ | |
| 15 Evaporator outlet line temperature | _____ | |
| 16 Evaporator air inlet temperature | _____ | |
| 17 Evaporator air outlet (vent) temperature | _____ | |
| 18 Suction accumulator inlet line temperature | _____ | |
| 19 Suction accumulator outlet line temperature | _____ | |

A/C FOT Temperature Data



R-134a TEMPERATURE PRESSURE CHART

(Tabla de Temperaturas y Lecturas)

Ambient Temperature °F/°C (Temperatura Ambiental)	Low-Pressure Gauge (Puerto de Servicio del Lado de Baja Presión)	High-Pressure Gauge (Puerto de Servicio del Lado de Alta Presión)
65°F (18°C)	25-35 psi / 172-241 kPa	135-155 psi / 931-1069 kPa
70°F (21°C)	35-40 psi / 241-276 kPa	145-160 psi / 1000-1103 kPa
75°F (24°C)	35-45 psi / 241-310 kPa	150-170 psi / 1034-1172 kPa
80°F (27°C)	40-50 psi / 276-345 kPa	175-210 psi / 1207-1448 kPa
85°F (29°C)	45-55 psi / 310-379 kPa	225-250 psi / 1551-1724 kPa
90°F (32°C)	45-55 psi / 310-379 kPa	250-270 psi / 1724-1862 kPa
95°F (35°C)	50-55 psi / 345-379 kPa	275-300 psi / 1896-2068 kPa
100°F (38°C)	50-55 psi / 345-379 kPa	315-325 psi / 2172-2241 kPa
105°F (41°C)	50-55 psi / 345-379 kPa	330-335 psi / 2275-2310 kPa
110°F (43°C)	50-55 psi / 345-379 kPa	340-345 psi / 2344-2379 kPa

Ambient temp is the outside atmospheric temperature.